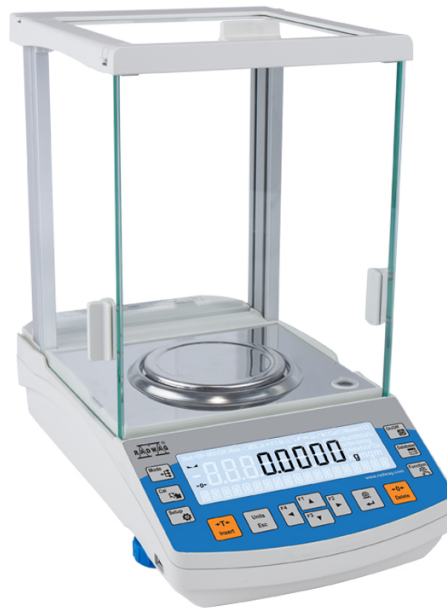




More information on the website  
[radwag.com/en/info,w1,LZY](http://radwag.com/en/info,w1,LZY)

# AS 220.R1 PLUS Analytical Balance



## Functions



Autotest



Dosing



Percent Weighing



Totalizing



Parts counting



Peak hold



Newton unit measurement



Statistics



Checkweighing



GLP Procedures



Animal weighing



Density determination

## Datasheet

Metrological parameters	
Maximum capacity [Max]	220 g
Minimum load	10 mg
Readability [d]	0,1 mg
Tare range	-220 g
Standard repeatability [5% Max]	0,07 mg
Standard repeatability [Max]	0,08 mg
Standard minimum weight (USP)	140 mg

<b>Metrological parameters</b>	
Standard minimum weight (U=1%, k=2)	14 mg
Permissible repeatability [5% Max]	0,09 mg
Permissible repeatability [Max]	0,1 mg
Linearity	±0,2 mg
Stabilization time	2 s
Adjustment	external
OIML Class	-
<b>Physical parameters</b>	
Leveling system	manual
Display	LCD (backlit)
Delivery components	Balance, weighing pan, weighing pan shield, bottom cover, power supply.
Weighing pan dimensions	ø100 mm
Packaging dimensions	495×400×515 mm
Net weight	7,3 kg
Gross weight	9,3 kg
Protection class	IP 43
<b>Communication interface</b>	
Communication interface	2×RS232, 2×USB-A (interchangeable), USB-B, Wi-Fi (option)
<b>Electrical parameters</b>	
Power supply	Adapter: 100 – 240V AC 50/60Hz 0,6A; 12V DC 1,2A Balance: 12 – 15V DC 0,4A max
<b>Environmental conditions</b>	
Operating temperature	+10 ÷ +40 °C

Repeatability is expressed as a standard deviation from 10 weighing cycles. Stabilization time depends on the ambient conditions and the dynamics of weighing pan loading; specified for FAST profile.

\* Wi-Fi® is a registered trademark of Wi-Fi® Alliance.



## Accessories

Holders for laboratory flasks  
Barcode scanners  
Cigarette lighter receptacle power supply cables  
Density determination KIT  
USB cable (scale - printer)  
Receipt Printer  
Professional weighing table  
Holders for test tubes and filters  
Workstation for Pipettes Calibration

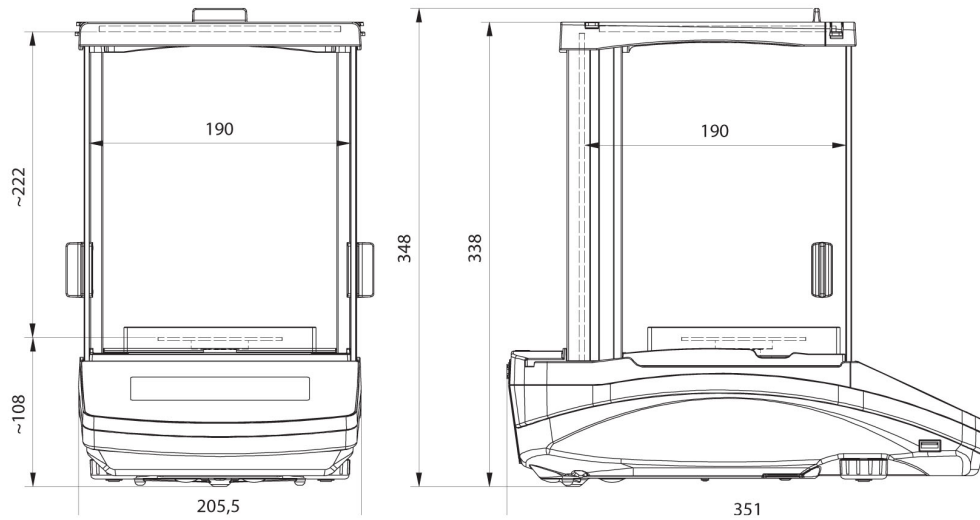
Antivibration Tables  
Displays  
Antistatic ionizer  
AP2-1 Current Loop Unit  
RPANEL BOX  
RS 232, RS 485 cables  
Under-Pan Weighing Rack  
RS 232 cables (scale - printer)

## Software

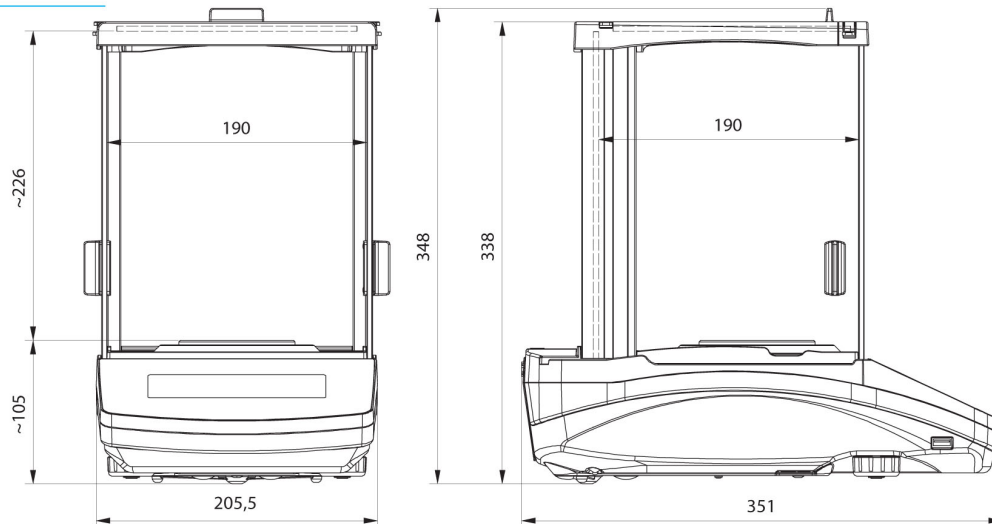
RAD-KEY  
R Panel  
R-LAB

LabVIEW Driver  
Alibi Reader  
RADWAG Development Studio

## Device dimensions



AS R2, d = 0.01 mg



AS R2, AS R1 d = 0.1 mg